

Product Description

Household Touchless Hands Sanitizer Electric Foam Spray Automatic infrared Sensor Soap Dispenser
Hand Foam Spray For Home hotel, [Touchless Stand Foam Soap Dispenser](#)
Application: HOTEL, villa, APARTMENT, OFFICE BUILDING, HOSPITAL, school

Product Name	hand sanitizer dispenser
Material	ABS+PP
Weight	255G
Capacity	350ml
Charging	USB Rechargeable
Feature	Automatic Sensor

[ABS plastic sensor soap dispenser](#)



Feature.

Automatic & Touchless: This foam soap dispenser specially built-in infrared sensor, hands free, it keeps away germs and help to keep healthy for you and your family. Moreover, it makes washing hands become a more interesting thing for kids!

Safer For Families/Guests: Place our hand sanitizer dispenser filled fully with hand sanitizer gel in the doorway, let families and guests who go out for purchasing daily supplies disinfect their hands before they came in. Refuse to bring the virus home.

MATERIAL: ABS environmentally friendly anti-dirty material, safe and corrosion resistant; infrared precise and intelligent sensing, leak-proof rubber outlet; no noise.

More Convenient: Using this hand sanitizer gel soap dispenser at all entrances of public places to disinfect their hands before coming in your restaurant, hotel, hospital... They are filled with hand sanitizer

gel rather than foam soap, so you could put them anywhere you want because no need to wash your hands with water.

automated sanitiser dispensers

NEW OPTION FOR CLEANING

AUTOMATIC INDUCTION HAND-WASHING MACHINE

The essence of natural plants
nourishes and cares for your hands
Contact-free, More at ease



Hand-washing machine x 1
Antibacterial effervescent tablets x 1

INTELLIGENT TECHNOLOGY IMPROVE YOUR QUALITY OF LIFE



Near-field
infrared sensing



0.25s
Rapid
bubbling



No contact
more hygienic



40
DAYS
40 days of
continuous use



Small
Small and free
installation



ABS
Material

FULLY AUTOMATIC HAND-WASHING MACHINE
CARE FOR THE HEALTH OF THE WHOLE FAMILY





Just stretch out your hands, the rich
and dense foam can help you clean effectively

AUTOMATIC INDUCTION

EFFECTIVELY INHIBIT HARMFUL BACTERIA TAKE CARE OF CHILDREN'S HEALTH

Effectively remove 5 major bacteria
Deeply clean pores
Gentle care for every inch of the child's skin





E.coli



Staphylococcus
aureus



Pseudomonas
aeruginosa



Candida
albicans



salmonella

CHARGING 3 HOURS CAN BE USED CONTINUOUSLY FOR 40 DAYS

Reasonably control the amount of foam
350ml large capacity design
can be used 500 times
to meet the family's 30-day dosage





Near-field
infrared sensing



0.25S Rapid
bubbling

DEEP CLEAN

DENSE AND RICH FOAM PENETRATES INTO PORES FOR DEEP CLEANSING

The dense foam can better cover the skin's epidermis and reach the fine pores for deep cleaning

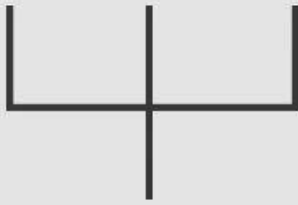




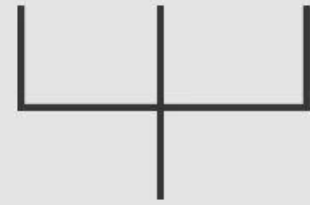
ONE MACHINE IS VERSATILE LIQUID CAN BE CHANGED FREELY

A replaceable solution bottle at the bottom makes it easy
to inject different hand sanitizers
making it easier to add
various hand sanitizers you have purchased





Hand sanitizer 3:7 tap water
Shake evenly to allow
hand soap to penetrate and dilute



Detergent 3:7 tap water
Shake evenly to allow hand
soap to penetrate and dilute

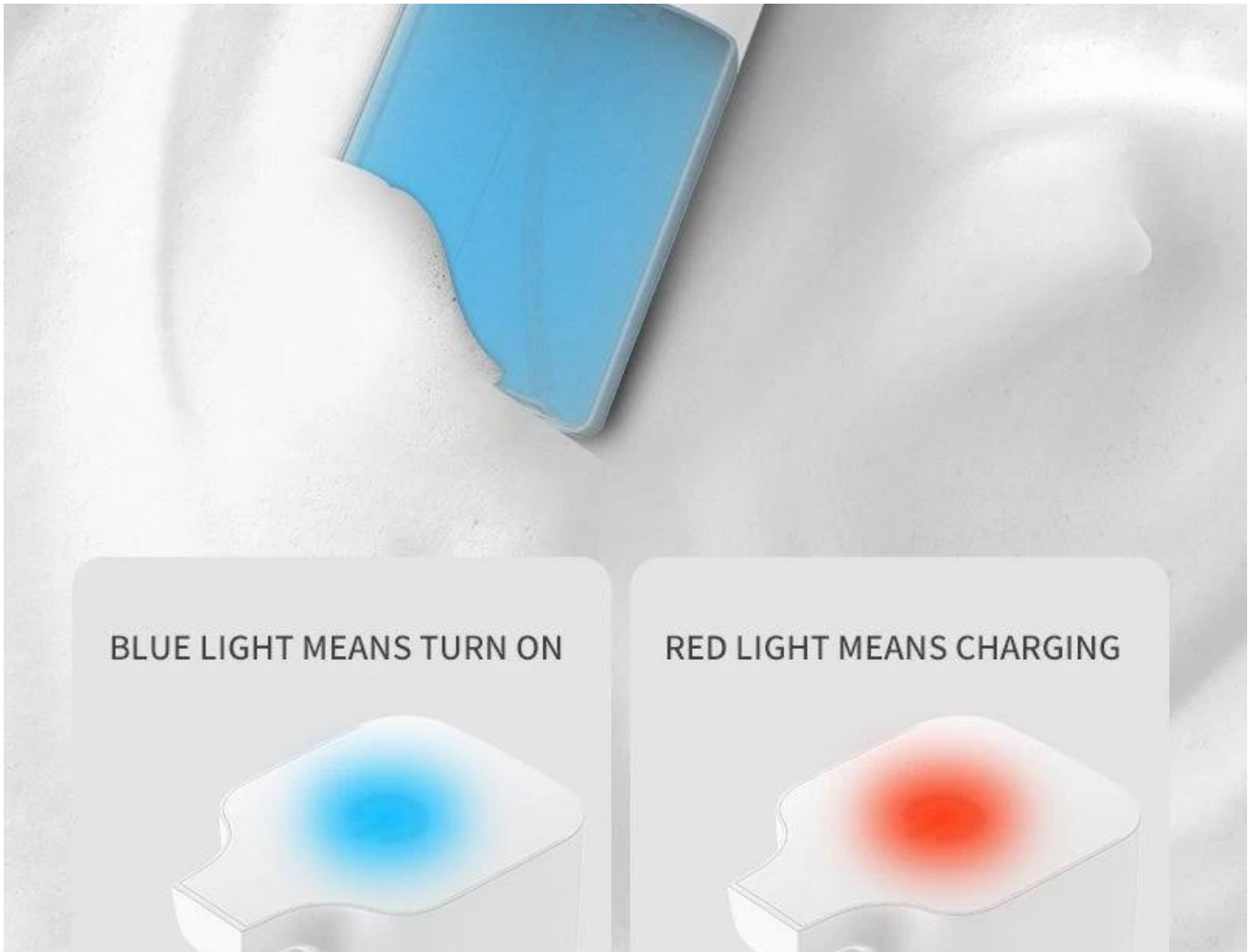
*Effervescent tablets can be replaced with liquid soap or dishwashing liquid
The ratio is for reference only, the effect of self-provisioning is more suitable

MOISTURIZING FUNCTION

ANTIBACTERIAL MOISTURIZING CLEANSING

Choose a slightly acidic formula
close to the pH of human skin
With moisturizing function
Glycerin made from natural oil, mild texture





BLUE LIGHT MEANS TURN ON



RED LIGHT MEANS CHARGING



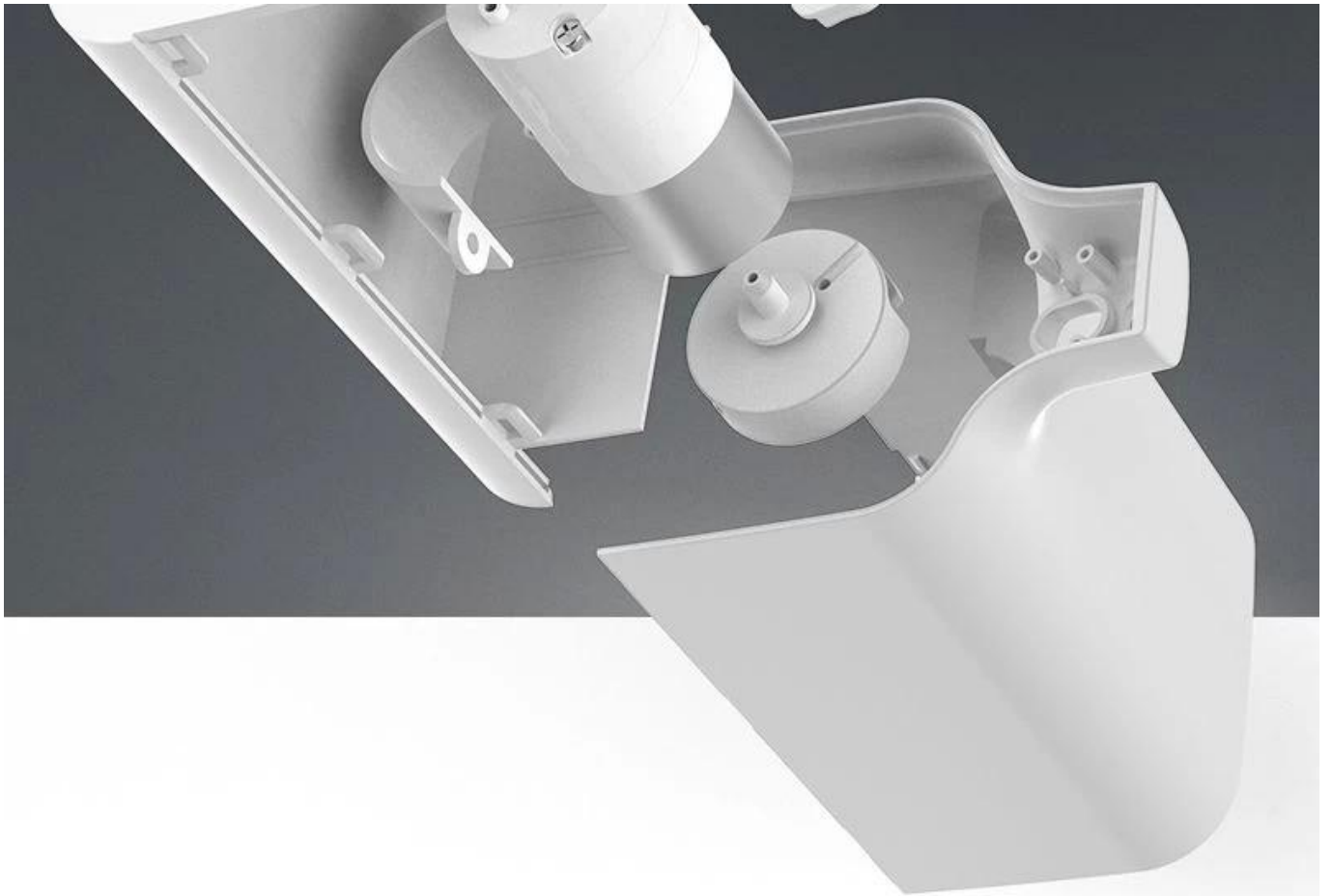
Inhibit bacteria
insist on daily hand washing



MINIATURE HIGH EFFICIENCY MOTOR LOW POWER CONSUMPTION, QUIETER

The selected miniature high-efficiency motor not only has a high foaming efficiency but also does not disturb the noise during use





SCANDINAVIAN MINIMALIST DESIGN
SMALL SIZE
SUITABLE FOR VARIOUS ENVIRONMENTS

The bottle of hand sanitizer is made of high-grade frosted material
Clear and clean at any time to check the use of the situation.





PRODUCT INFORMATION

Product Name: Induction foam hand washing machine

Rated voltage: 5V

Rated power: 15W

Capacity: 350ml

Applicable scene:

Material: ABS

Home cleaning, dormitory



PICTURE COLOR IS FOR REFERENCE ONLY
PLEASE REFER TO THE ACTUAL PRODUCT

PRODUCT DETAILS

**TOUCH TO
TURN ON**



**ABS
MATERIAL**

USB CHARGING PORT



INSTALLATION STEPS OF HAND SANITIZER



Remove concentrated effervescent tablets



Break the concentrated effervescent tablet in half



Dilute the concentrated effervescent tablets in a cup



Put the diluted solution in the solution bottle



Tighten the cap and shake gently



After installation you can use

CERTIFICATE

GOOD QUALITY, HEALTHY QUALITY

CTI 华测检测
报告编号: HZ001569511Z

 中国认可
强制认证
权威
TESTING
CNAS L1150

检测报告

Test Report

样品名称: 高纯石墨烯手影片

委托单位: 东莞市尚途生物科技有限公司

检测类型: 委托检验



华测检测认证集团股份有限公司
Centre Testing International Group Co., Ltd.
www.ctitest.com

CTI 华测检测

检测报告

报告编号: HZ001569511Z

样品图片



检验检测依据

检验检测依据: 本检测依据客户要求, 本检测依据客户要求, 本检测依据客户要求。
The test report is effective only if the sample is under the direct control of CTI.
The report is valid only if the sample is under the direct control of CTI.
Standard: except in text.



www.ctitest.com E-mail: ctitest@ctitest.com Complaint: E-mail: complaint@cti.com

CTI 华测检测

检测报告

报告编号: HZ001569511Z 第 1 页 共 5 页

样品名称	委托单位	CTI 样品编号	检测项目
高纯石墨烯手影片	东莞市尚途生物科技有限公司	HZ15050501	规格
样品规格	规格 (MSD)	规格	规格
生产日期	/	批号	/
样品数量	5 瓶	样品状态	完好
生产地址	/	/	/
客户信息	委托单位: 东莞市尚途生物科技有限公司	检测日期: 2022 年 05 月 11 日	
委托单位地址	东莞市寮步镇顺坑北门工业区 2 号	报告日期: 2022 年 05 月 11 日	
样品接收日期	2022 年 05 月 04 日	样品检测日期	2022 年 05 月 04 日—2022 年 05 月 11 日
检测项目	原材料、气味、总有效物、pH (25℃)、甲醛、苯 (总)、酚 (总)、糖 (总)、甲糖 (Q393)、二噁烷、石棉、菌落总数、霉菌和酵母菌、耐热大肠菌群、金黄色葡萄球菌、铜绿假单胞菌。		
检测方法	GB/T 34865—2017 国家标准《手面膜》		
检测结果	经检测, 有标准指标的项目符合《GB/T 34865—2017 国家标准《手面膜》》要求。		
检测单位			
备注	编制: 廖松云 审核: 谢晓红 批准: 刘涛		
	报告签字人: 刘涛		
	广东华测检测认证集团股份有限公司		

www.ctitest.com E-mail: ctitest@ctitest.com Complaint: E-mail: complaint@cti.com

检测报告

第 2 页 共 5 页

项目	检测结果	标准要求	判定	检测方法
/	符合	GB/T 34865—2017 2018—2017 中 4.8 条	合格	GB/T 34865—2017
/	无异味	无异味	合格	感官鉴别
N	14.3	≤0.4	合格	GB/T 34865—2017
/	5.5	4.5—10.5	合格	GB/T 34865—2017
mg/kg	未检出	≤100	合格	GB/T 34865—2017
mg/kg	未检出	≤1	合格	GB/T 34865—2017
mg/kg	未检出	≤10	合格	GB/T 34865—2017
mg/kg	未检出	≤10	合格	GB/T 34865—2017
mg/kg	未检出	≤10	合格	GB/T 34865—2017
mg/kg	未检出	≤10	合格	GB/T 34865—2017
mg/kg	未检出	≤10	合格	GB/T 34865—2017
CFU/g	未检出	≤1000	合格	GB/T 34865—2017
CFU/g	未检出	≤100	合格	GB/T 34865—2017
CFU/g	未检出	≤100	合格	GB/T 34865—2017
CFU/g	未检出	≤100	合格	GB/T 34865—2017



www.ctitest.com E-mail: ctitest@ctitest.com Complaint: E-mail: complaint@cti.com

Packing&Shipping

Packing dimension:

60pcs/carton

Carton Mea:8*14*22cm

Gross W:22.5kg/carton

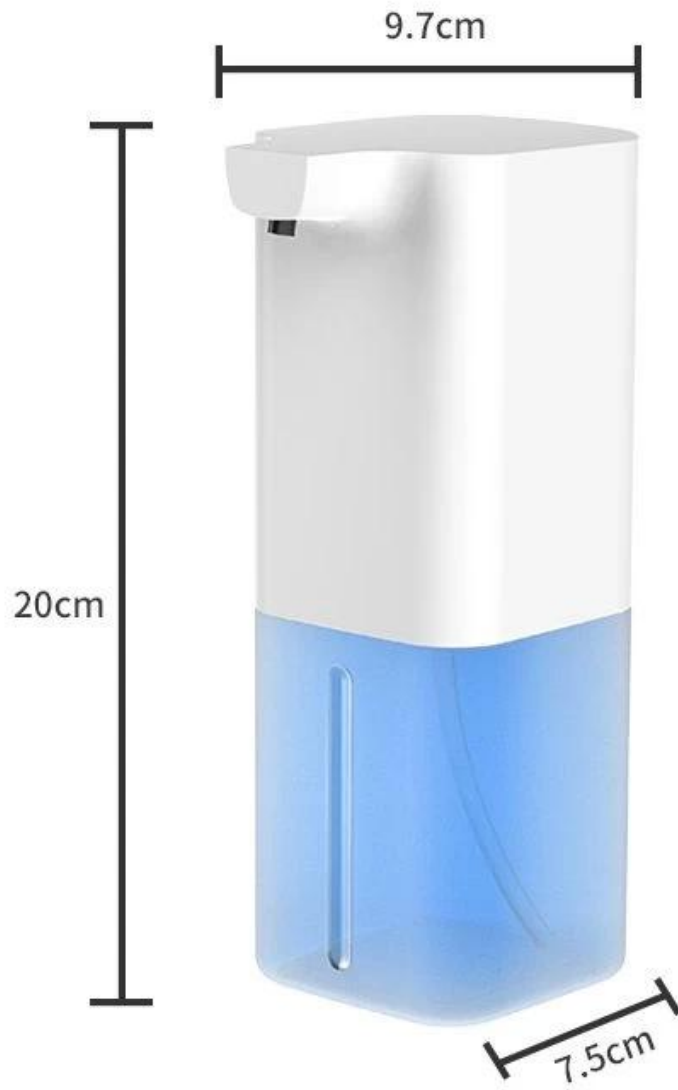
HS code: 8509809000

Packaging & Delivery

Selling Units	Single item
Single package size	8X14X22 cm
Single gross weight	0.500 kg

Picture Example:

hotel, KTV and other places



Marine incense

=



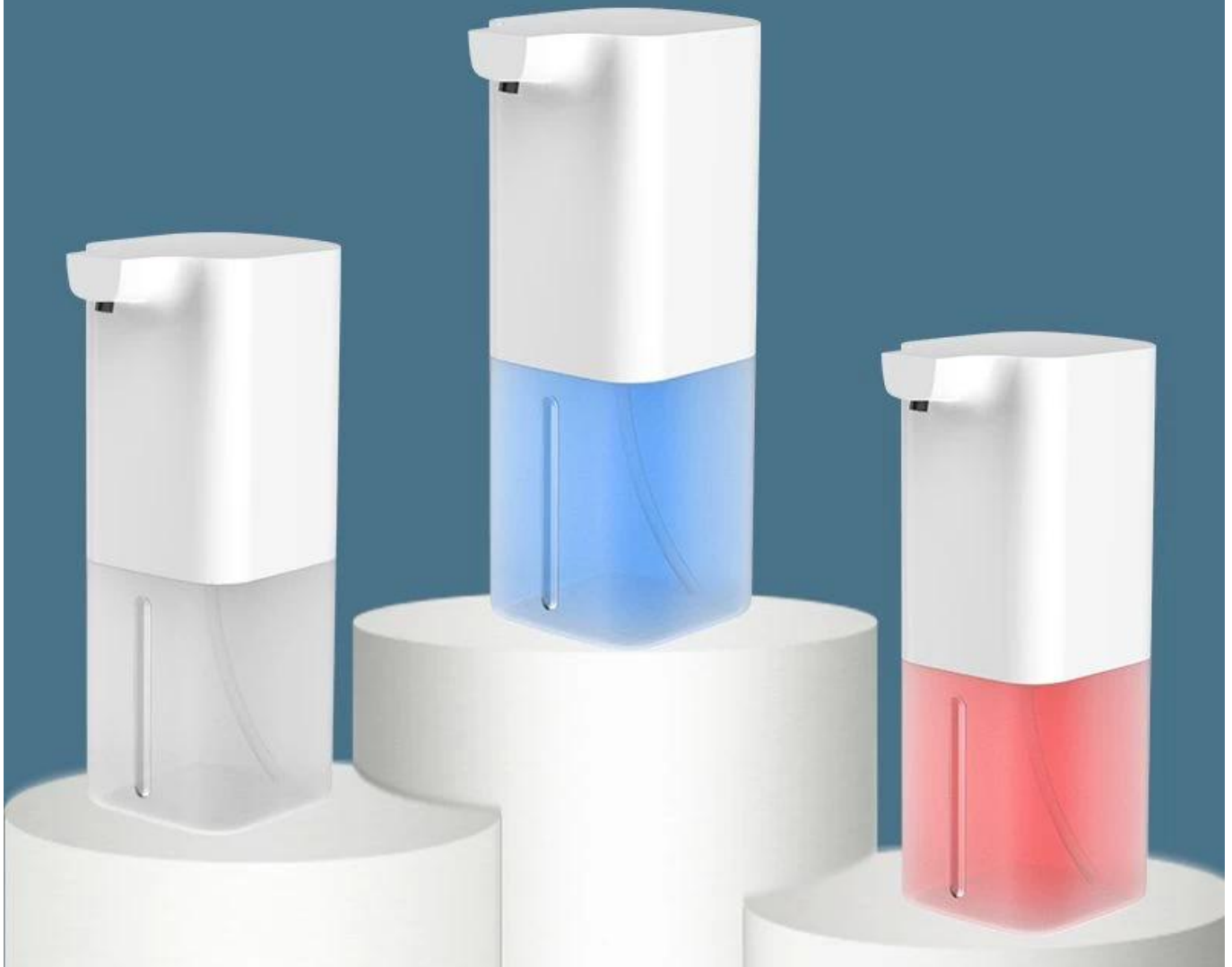
Effervescent tablets



MOIST CARE

NORDIC SIMPLE DESIGN

Marine incense/Osmanthus/Rose fragrance/Lemon scent



FAQ

Q: How can I get the automatic soap dispenser samples to check your quality?

A: Sample order is available, can be shipped by Express, you'll receive it in 3-7 days.

Q: What can I get the price?

A: We usually quote within 24 hours after we get your inquiry. If you are very urgent to get the price, please tell us in your email so that we will regard your inquiry as priority.

Q: What is your trade term of delivery?

A: We accept EXW, FOB Shenzhen or CIF destination port. You can choose the one which is the most

convenient or cost effective for you.

Q: What about the lead time for the mass production?

A: Honestly, it depends on the order quantity and the season you place the order. Sample order is within 2 days. OEM/OEM order will need extra time.