

# O-leading

O-Leading PCB PCB PCB PCB EMS HDI PCB PCB PCB PCB

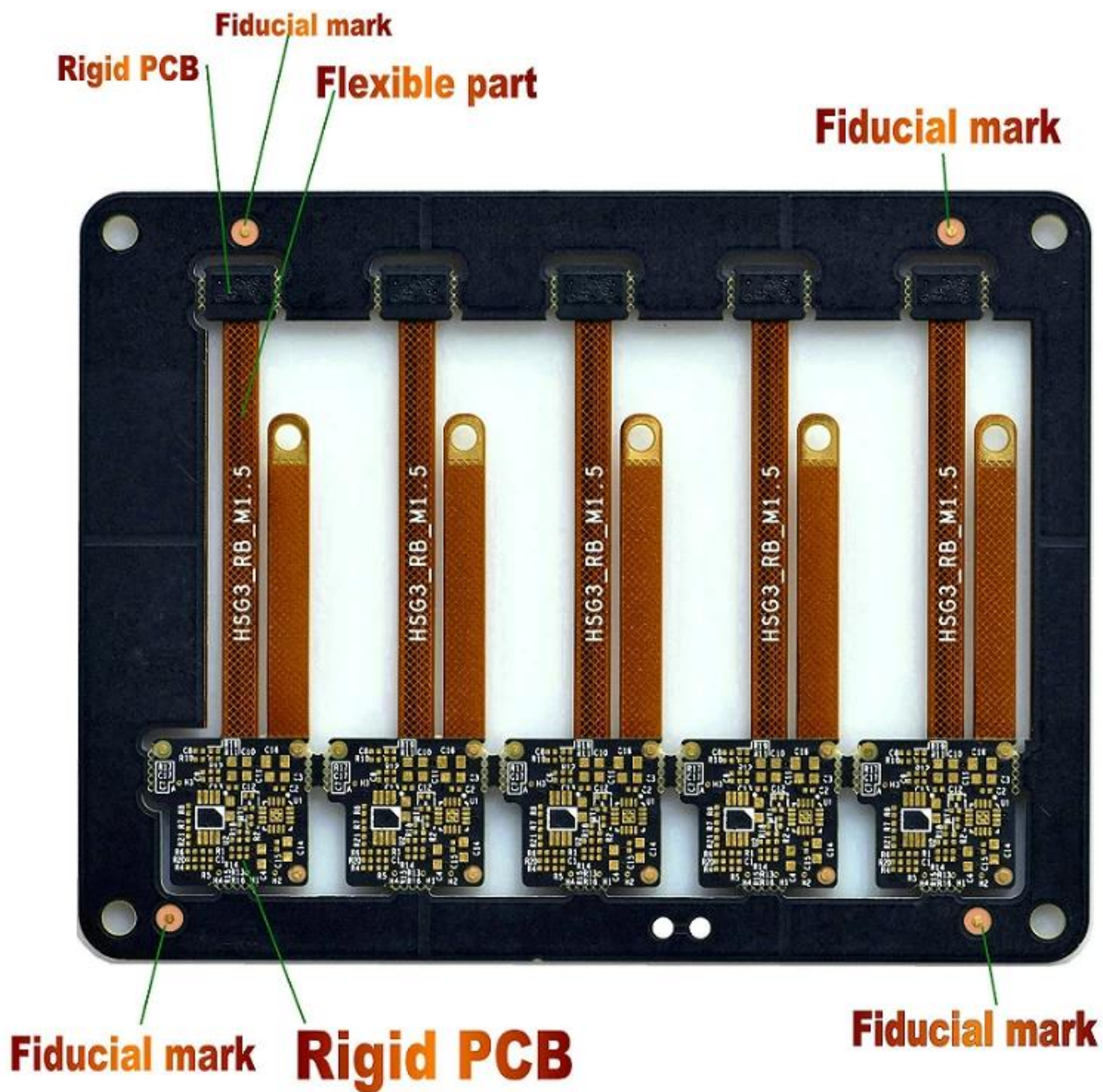
O

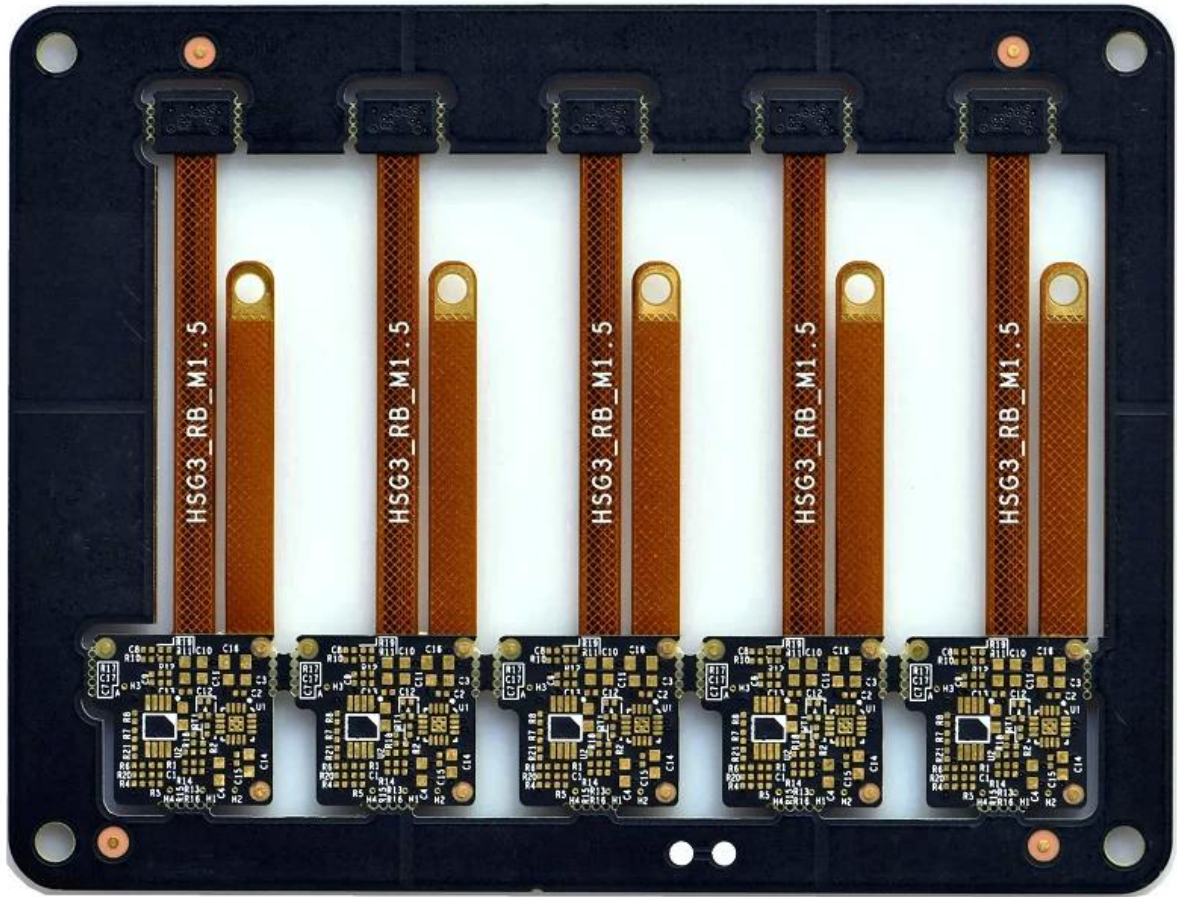
O-leading PCB&PCBA

PCB

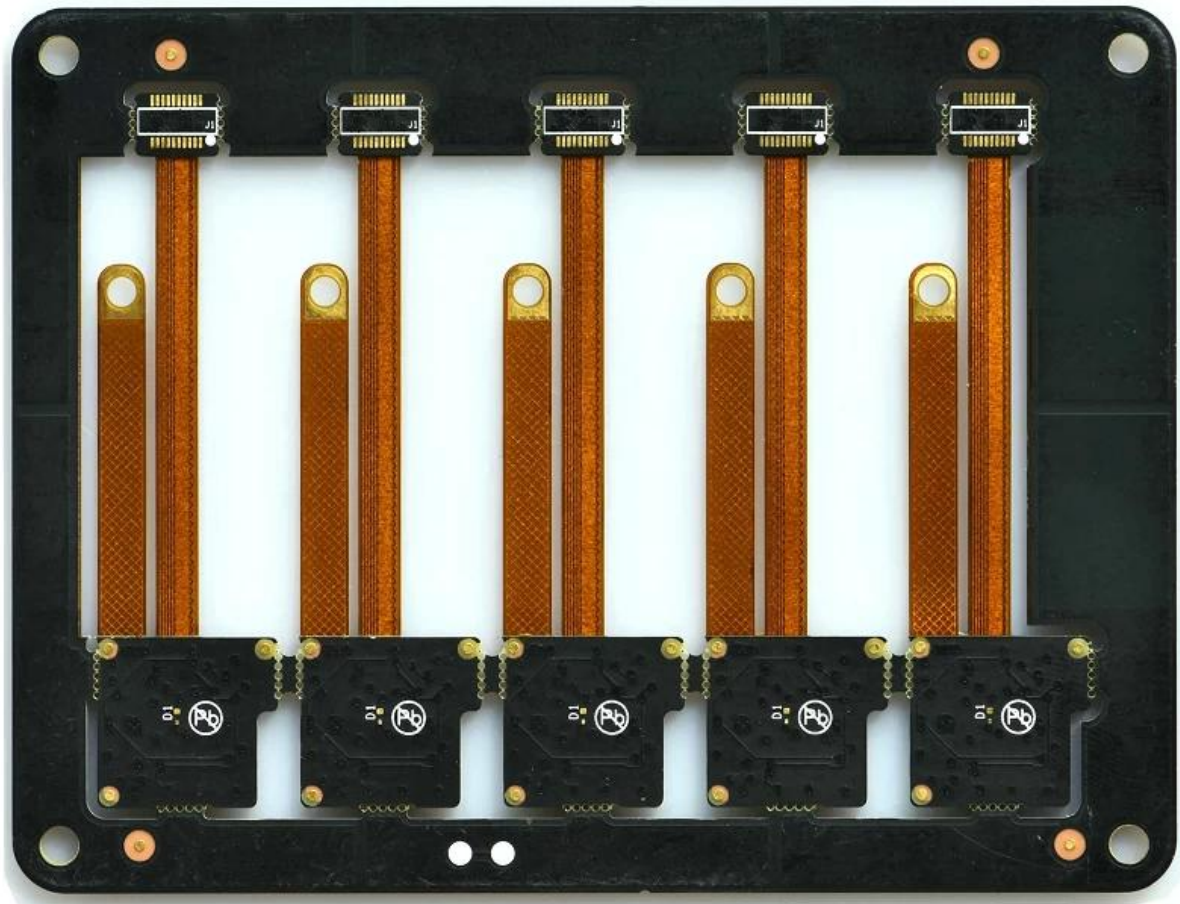


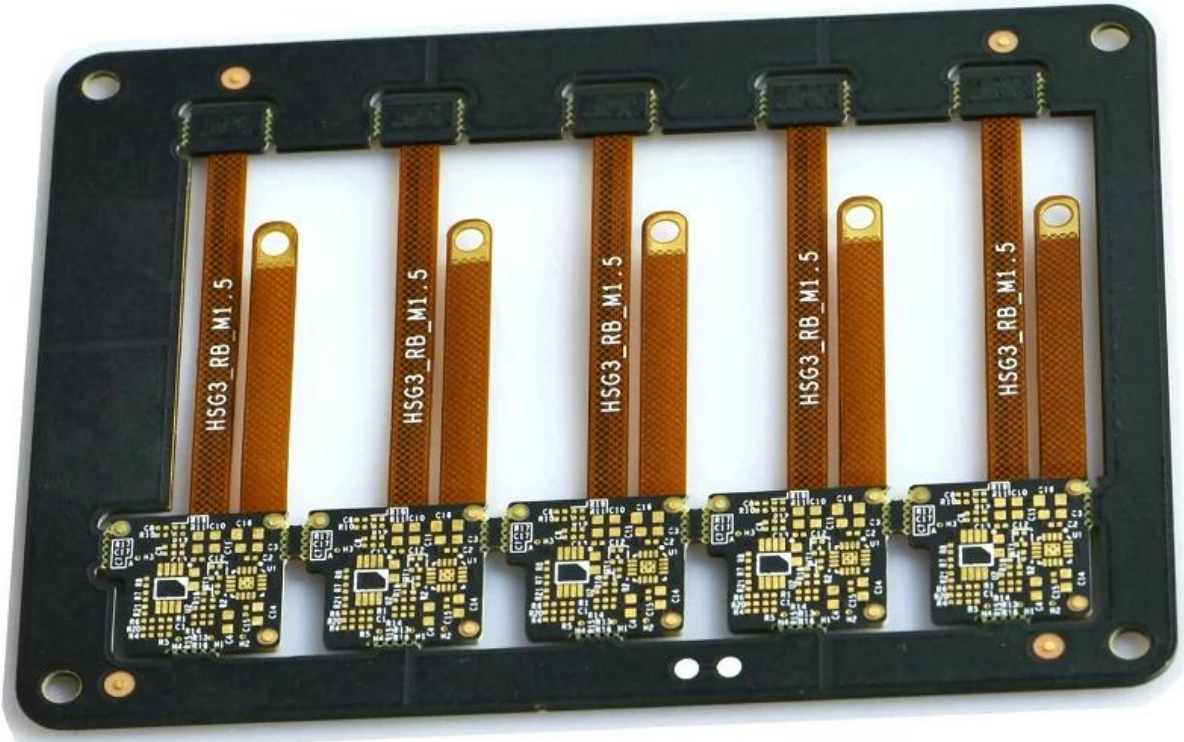
□□□□

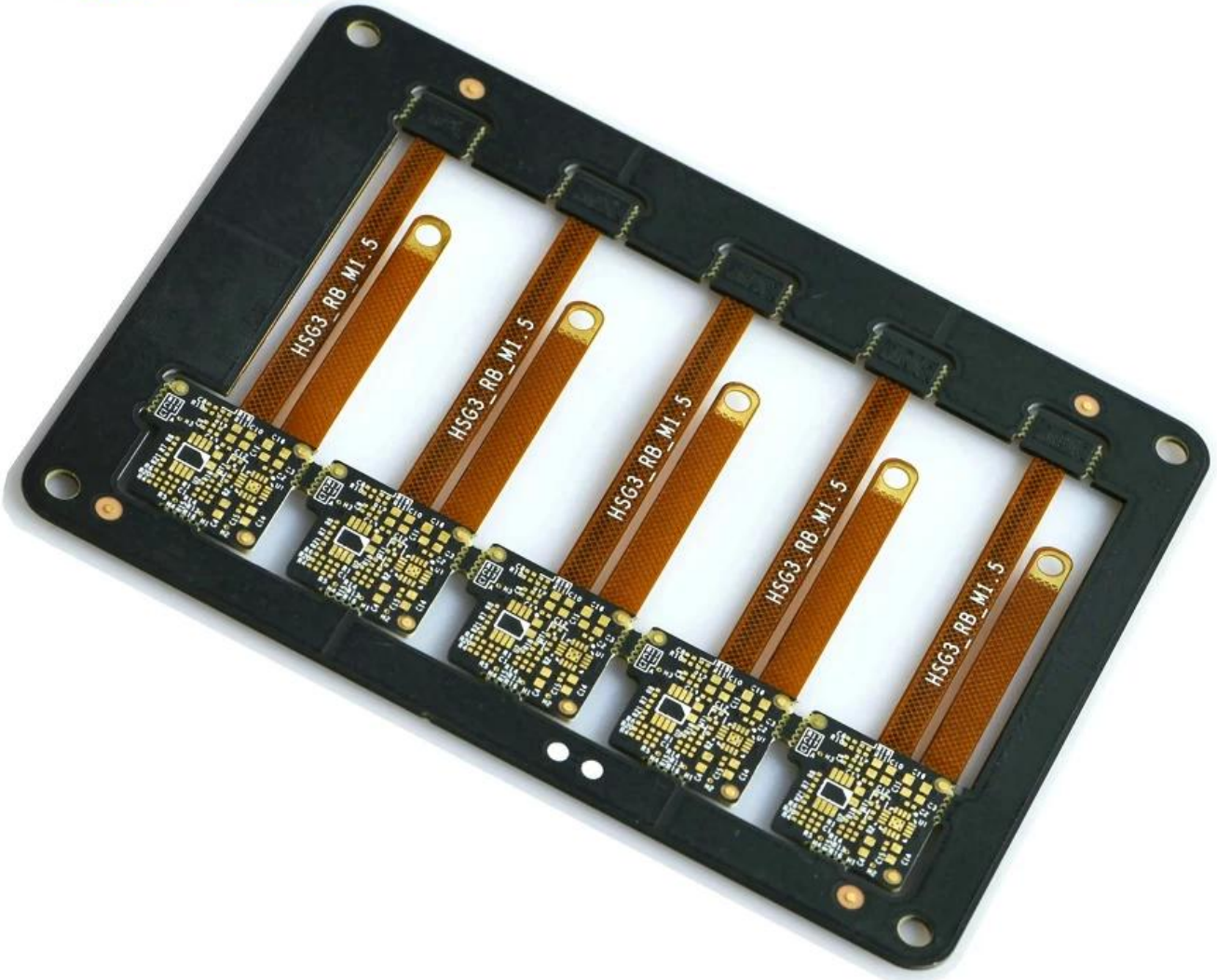
















# Production Process

18 years experience in one-stop PCB and PCBA, we can make your idea come true,





CONSUMER ELECTRONICS

INTELLECTUALIZED HOUSEHOLD CONTROL

AUTOMOTIVE ELECTRONICS

OTHER

INDUSTRIAL CONTROL



30%  
CONSUMER ELECTRONICS



18%  
INTELLECTUALIZED HOUSEHOLD CONTROL

20%  
AUTOMOTIVE ELECTRONICS



12%  
OTHER



20%  
INDUSTRIAL CONTROL





---

Factory PCB

---



Automatic vacuum press machine



Drilling Machine



Pattern Plating Machine



Scrubbing Machine



Developing Machine



Routing Machine



High-speed flying probe machine



E-test Machine

---

Factory SMT

---





Skyworth 创维

HET 和而泰  
HET INTELLIGENT CONTROL

dongweikeji  
东威科技

美的 Midea

STAR-NET  
星网锐捷

FORYOU  
ADAYO 华阳集团

EDIFIER®

Cultraview 金锐显

3nod 三诺

T&W

TCL

AcBel 康舒科技  
ACBEL POLYTECH INC.

Honeywell

Schneider  
Electric

ZTE中兴

EMERSON

BYD

PHILIPS

TE  
connectivity

VIDEOTON



**Test Report** No. SZXEC1900530401 Date: 30 Mar 2019 Page 1 of 6

O-LEADING SUPPLY CHAIN (HK) CO., LIMITED  
1313.FLOOR 13, FORTUNE BUILDING, DANSHUI TOWN, HUIYANG DISTRICT, HUIZHOU, GUANGDONG, CHINA

The following sample(s) was/were submitted and identified on behalf of the clients as : OSP

SGS Job No. : RP19-005089 - SZ  
Date of Sample Received : 22 Mar 2019  
Testing Period : 22 Mar 2019 - 30 Mar 2019  
Test Requested : Selected tests(s) as requested by client.  
Test Method : Please refer to next page(s).  
Test Results : Please refer to next page(s).

Conclusion : Based on the performed tests on submitted sample(s), the results of Lead, Mercury, Cadmium, Hexavalent chromium, Polybrominated biphenyls (PBBs), Polybrominated diphenyl ethers (PBDEs) and Phthalates such as Bis(2-ethylhexyl) phthalate (DEHP), Butyl benzyl phthalate (BBP), Dibutyl phthalate (DBP), and Diisobutyl phthalate (DIBP) comply with the limits as set by RoHS Directive (EU) 2015/863 amending Annex II to Directive 2011/65/EU.

Signed for and on behalf of  
SGS-CSTC Standards Technical Services Co., Ltd. Shenzhen Branch

*Tina*  
Tina Fan  
Approved Signatory



Unless otherwise agreed in writing, this document is issued by the Company subject to its General Conditions of Service printed on the reverse side of this document or available at [www.sgs.com](http://www.sgs.com). The Client's attention is drawn to the limitation of liability, indemnification and jurisdiction issues defined therein. Any holder of this document is advised that information contained herein reflects the Company's findings at the time of its intervention only and within the limits of the Client's instructions. In any event, the Company's sole responsibility is to its Client and the document does not exonerate parties to a transaction from respecting all their rights and obligations under the transaction documents. This document cannot be reproduced or used in any manner whatsoever without the prior written approval of the Company. Any unauthorized alteration, forgery or falsification of the content or appearance of this document is unlawful and offenders may be prosecuted to the fullest extent of the law. Unless otherwise stated the liability shown in this report refers only to the specific tested item.

Attention: To check the authenticity of testing SGS-CSTC Report & certificate, please contact us at telephone: (86-755) 8307 1443 or website: [CN.sgs.com](http://CN.sgs.com)

SGS 检测有限公司 深圳分公司 地址: 深圳市福田区福安路11号 邮编: 518129 电话: (86-755) 25288888 / (86-755) 83071930 传真: (86-755) 25288888 / (86-755) 83071930 电子邮箱: [china@sgs.com](mailto:china@sgs.com)

Member of the SGS Group (SGS SA)



**Test Report** No. SZXEC1900530401 Date: 30 Mar 2019 Page 2 of 6

Test Results :

Test Part Description :

| Specimen No. | SGS Sample ID    | Description |
|--------------|------------------|-------------|
| SN1          | SZX19-005304.001 | Green"PCB"  |

Remarks :

- (1) 1 mg/kg = 1 ppm = 0.0001%
- (2) MDL = Method Detection Limit
- (3) ND = Not Detected (< MDL)
- (4) "-" = Not Regulated

RoHS Directive (EU) 2015/863 amending Annex II to Directive 2011/65/EU

Test Method : With reference to IEC 62321-4:2013+A1:2017, IEC62321-5:2013, IEC62321-7-2:2017, IEC 62321-6:2015 and IEC62321-8:2017, analyzed by ICP-OES, UV-Vis and GC-MS.

| Test Item(s)                 | Limit | Unit  | MDL | 0/1 |
|------------------------------|-------|-------|-----|-----|
| Cadmium (Cd)                 | 100   | mg/kg | 2   | ND  |
| Lead (Pb)                    | 1,000 | mg/kg | 2   | 8   |
| Mercury (Hg)                 | 1,000 | mg/kg | 2   | ND  |
| Hexavalent Chromium (Cr(VI)) | 1,000 | mg/kg | 8   | ND  |
| Sum of PBBs                  | 1,000 | mg/kg | -   | ND  |
| Monobromobiphenyl            | -     | mg/kg | 5   | ND  |
| Dibromobiphenyl              | -     | mg/kg | 5   | ND  |
| Tribromobiphenyl             | -     | mg/kg | 5   | ND  |
| Tetrabromobiphenyl           | -     | mg/kg | 5   | ND  |
| Pentabromobiphenyl           | -     | mg/kg | 5   | ND  |
| Hexabromobiphenyl            | -     | mg/kg | 5   | ND  |
| Heptabromobiphenyl           | -     | mg/kg | 5   | ND  |
| Octabromobiphenyl            | -     | mg/kg | 5   | ND  |
| Nonabromobiphenyl            | -     | mg/kg | 5   | ND  |
| Decabromobiphenyl            | -     | mg/kg | 5   | ND  |
| Sum of PBDEs                 | 1,000 | mg/kg | -   | ND  |
| Monobromodiphenyl ether      | -     | mg/kg | 5   | ND  |
| Dibromodiphenyl ether        | -     | mg/kg | 5   | ND  |
| Tribromodiphenyl ether       | -     | mg/kg | 5   | ND  |
| Tetrabromodiphenyl ether     | -     | mg/kg | 5   | ND  |
| Pentabromodiphenyl ether     | -     | mg/kg | 5   | ND  |



Unless otherwise agreed in writing, this document is issued by the Company subject to its General Conditions of Service printed on the reverse side of this document or available at [www.sgs.com](http://www.sgs.com). The Client's attention is drawn to the limitation of liability, indemnification and jurisdiction issues defined therein. Any holder of this document is advised that information contained herein reflects the Company's findings at the time of its intervention only and within the limits of the Client's instructions. In any event, the Company's sole responsibility is to its Client and this document does not exonerate parties to a transaction from respecting all their rights and obligations under the transaction documents. This document cannot be reproduced or used in any manner whatsoever without the prior written approval of the Company. Any unauthorized alteration, forgery or falsification of the content or appearance of this document is unlawful and offenders may be prosecuted to the fullest extent of the law. Unless otherwise stated the liability shown in this report refers only to the specific tested item.

Attention: To check the authenticity of testing SGS-CSTC Report & certificate, please contact us at telephone: (86-755) 8307 1443 or website: [CN.sgs.com](http://CN.sgs.com)

SGS 检测有限公司 深圳分公司 地址: 深圳市福田区福安路11号 邮编: 518129 电话: (86-755) 25288888 / (86-755) 83071930 传真: (86-755) 25288888 / (86-755) 83071930 电子邮箱: [china@sgs.com](mailto:china@sgs.com)

Member of the SGS Group (SGS SA)



## ZPMV2.E490354 - WIRING, PRINTED - COMPONENT

## Wiring, Printed - Component

See General Information for Wiring, Printed - Component

**O-LEADING SUPPLY CHAIN (HK) CO LTD**

E490354

ROOM 1205, 12/F  
TAI SANG BANK BLDG  
130-132 DES VOEUS ROAD  
CENTRAL, HONG KONG

| Type   | Cond Width    |               | Cond Thk<br>mic(mil) | SS/<br>DS/<br>DSO | Max          | Max              |              | Meets<br>UL796 | C     |       |   |
|--|---------------|---------------|----------------------|-------------------|--------------|------------------|--------------|----------------|-------|-------|---|
|  | Min           | Edge          |                      |                   | Area<br>Diam | Solder<br>Limits | Oper<br>Temp |                |       | Flame |   |
|  | mm(in)        | mm(in)        |                      |                   | mm(in)       | C                | sec          | C              | Class | DSR   | I |
| <b>Multilayer (mass laminate) printed wiring boards.</b> |               |               |                      |                   |              |                  |              |                |       |       |   |
| <b>O-LEADING-401</b>                                     | 0.1 (0.004)   | 0.3 (0.012)   | 34 (1.34)            | DS                | 12.7 (0.5)   | 260              | 10           | 130            | V-0   | -     | - |
| <b>O-LEADING-407</b>                                     | 0.08 (0.003)  | 0.2 (0.008)   | 17 (0.67)            | DS                | 9.7 (0.4)    | 260              | 10           | 130            | V-0   | All   | - |
| <b>Multilayer printed wiring boards.</b>                 |               |               |                      |                   |              |                  |              |                |       |       |   |
| <b>O-LEADING-408</b>                                     | 0.125 (0.005) | 0.125 (0.005) | 12 (0.47)<br>Int:136 | DS                | 50.8 (2.0)   | 280              | 20           | 130            | V-0   | All   | * |
| <b>Single layer printed wiring boards.</b>               |               |               |                      |                   |              |                  |              |                |       |       |   |
| <b>O-LEADING-002</b>                                     | 0.38 (0.015)  | 1.14 (0.045)  | 34 (1.34)            | SS                | 19.1 (0.8)   | 260              | 10           | 105            | V-0   | All   | - |
| <b>O-LEADING-003</b>                                     | 0.38 (0.015)  | 1.14 (0.045)  | 34 (1.34)            | SS                | 19.1 (0.8)   | 260              | 10           | 130            | V-0   | ▲     | - |
| <b>O-LEADING-033</b>                                     | 0.15 (0.006)  | 0.3 (0.012)   | 34 (1.34)            | SS                | 25.4 (1.0)   | 260              | 10           | 120            | V-0   | All   | - |
| <b>O-LEADING-205</b>                                     | 0.1 (0.004)   | 0.3 (0.012)   | 34 (1.34)            | DS                | 69.6 (2.7)   | 260              | 10           | 130            | V-0   | All   | - |
| <b>O-LEADING-206</b>                                     | 0.15 (0.006)  | 0.33 (0.013)  | 17 (0.67)            | DS                | 69.6 (2.7)   | 260              | 10           | 130            | V-0   | All   | - |
| <b>O-LEADING-D01</b>                                     | 0.14 (0.006)  | 0.15 (0.006)  | 33 (1.30)            | DS                | 25.4 (1.0)   | 260              | 10           | 130            | V-0   | All   | * |
| <b>O-LEADING-S01</b>                                     | 0.25 (0.010)  | 0.25 (0.010)  | 17 (0.67)            | SS                | 25.4 (1.0)   | 260              | 4            | 130            | V-0   | All   | * |

## WIRING, PRINTED - COMPONENT | UL Product iQ

|                      |              |              |           |    |            |     |   |     |     |     |   |
|----------------------|--------------|--------------|-----------|----|------------|-----|---|-----|-----|-----|---|
| <b>O-LEADING-S02</b> | 0.2 (0.008)  | 0.2 (0.008)  | 17 (0.67) | SS | 25.4 (1.0) | 260 | 4 | 130 | HB  | ▲   | * |
| <b>O-LEADING-S03</b> | 0.25 (0.010) | 0.25 (0.010) | 34 (1.34) | SS | 25.4 (1.0) | 260 | 4 | 130 | V-0 | All | * |

\* - CTI marking is optional and may be marked on the printed wiring board.

Marking: Company name or file number and type designation. May be followed by a suffix to denote factory identification or burning test classification.

并不是所有出现在本数据库中的公司名称和产品都满足了UL跟踪检验服务的要求。只有带有UL标志的产品，才应该被视为经过UL认证，并满足UL跟踪检验服务的要求。注意查看产品上的标志。

UL允许在线认证目录中所含材料的复制遵循以下条件：1.指南信息、装配、构造、设计、系统和/或认证（文件）必须在不篡改任何数据（或图纸）的情况下完整且无误导性地呈现。2.经UL允许从在线认证目录转载“声明必须出现在所摘取材料的邻近位置。此外，转载材料必须包含以下格式的版权声明：“© 2019 UL LLC”





|                     |  |
|---------------------|--|
| <b>PCB</b>          |  |
| Layer               | 1Layer-32Layer                                     |
| Weight              | 1 / 3oz-12oz                                       |
| Thickness           | 3.0mil / 3.0mil                                    |
| Thickness           | 4.0mil / 4.0mil                                    |
| Drill               | 10 $\mu$ m   |
| Drill               | 0.2mm $\square$ 5.0mm                              |
| Size                | 635 * 1500mm                                       |
| Plating             | 4mil   |
| Plated              | +/- 3mil   |
| Blind / Buried Vias | All  |
| Via Fill            |  |
| Material            | FR-4 $\square$ FR-4high Tg                         |
| Surface             | HASL $\square$ OSP $\square$ ENIG $\square$ HAL-LF |

### SMT

|           |                                      |
|-----------|--------------------------------------|
| PCB       | FR-4 $\square$ CEM-1 $\square$ CEM-3 |
| PCB       | 510x460mm                            |
| PCB       | 50x50mm                              |
| PCB       | 0.5mm $\square$ 4.5mm                |
| Drill     | 0.5 $\square$ 4mm                    |
| Drill     | 0201                                 |
| Drill     | 0603                                 |
| Drill     | 15mm                                 |
| Drill     | 0.3mm                                |
| BGA       | 0.4mm                                |
| Thickness | +/- 0.03mm                           |



# Shipping service



| Quick Turn Lead Time |          |                     |
|----------------------|----------|---------------------|
| Layer Count:         | Lead Tim | Special Requirement |
| 1L/2L                | 2-3days  | 24 Hours,48 Hours   |
| 4L                   | 3-4days  | 48 Hours            |
| 6L                   | 4-5days  | 72 Hours            |
| 8L                   | 5-6days  | NA                  |
| 10L                  | 6-7days  | NA                  |
| 12L                  | 7-8days  | NA                  |
| 14L                  | 8-9days  | NA                  |

| Standard Lead Time |                  |                        |
|--------------------|------------------|------------------------|
| Layer Count:       | Sample Lead Time | Volume order lead time |
| 2L                 | 4 days           | 10 days                |
| 4L                 | 5 days           | 11 days                |
| 6L                 | 6 days           | 12 days                |
| 8L                 | 8 days           | 14 days                |
| 10L                | 10 days          | 16 days                |
| 12L                | 12 days          | 18 days                |
| 14L                | 14 days          | 20 days                |
| 16-32L             | 18 days          | 24 days                |



**1. O**

- 1.1
- 1.2
- 1.3
- 1.4
- 1.5

**2. O-Leading**

10 2 3 4 RMB 31

O-Leading

**3. O-Leading**

FR4 TG / PI



**4. PCB及PCBA**

- 4.1 BOM
- 4.2 PCB
- 4.3 PCB及PCBA
- 4.4
- 4.5

**5. PCB**

→ → → AOI → → → PTH → → → → → AOI → → → → E / T →

**6. HDI**

VCP LDI LDI

**7. O-**

O- ENIG OSP LF-HASL / OSI ENIG OSP + ENIG HDI BGAPAD 0.3 mm OSP OSP + ENIG

**8. FPC及O-Leading SMT**

O-Leading FPC 1 8 2000mm \* 240mm SMT

**9. PCB**

- ;
- ;
- ;
- ;
- PCB;
- ;
- ;

**10. PCB PWB FPC**

PCB PWB Printed Wire Board FPC

**11. PCB**

PCB Tg CTE PCB 250°C 50 PCB PCB

**12. O-leading PCB**

O-leading PCB FPC PCB

**13.**

POLAR INSTRUMENTS SI6000 soft CITS 500s

