

Products Description

Product Description

Top quality 1000ml automatic liquid soap dispenser smart sensor non-contact infrared thermometer auto soap dispenser LCD display

(Automatic induction sterilizer foam soap dispenser with 1000ml bottle)

Sterilization is more effective

K9 Automatic Temperature Measurement & Disinfection Machine

Safer without contact



Large-capacity



Automatic dispensing



Temperature measurement



Alarm Function



High precision



°C/°F



Description:

Newest Electric Contactless Electric Automatic Sensor Soap Dispenser 1000ml Liquid Spray Dispenser
High Quality Non-Contact Infrared Induction Sensor Soap Dispensers Hand Sanitizer Dispenser
mini automatic liquid for medium alcohol
Smart auto induction Portable 1000ml liquid sanitizer spray dispenser Specifications:

Product Name	Automatic soap dispenser with thermometer display(automatic liquid soap dispenser)
Item No.	OL-K9-1
Function	Automatic Hand Sanitizer Dispenser support Alcohol Gel Foam Liquid Soap
Color	White with black display
Material	ABS+HDPE
Maximum Power	3W
Size	119*133*280mm
Container Capacity	1000ml
Sensing distance	3-10cm

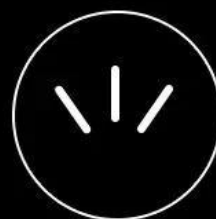
Automatic temperature measurement and disinfection

Effectively avoid cross infection

Align the temperature measuring probe and the liquid outlet with the palm of your hand to detect the temperature and automatically sterilize the liquid



Extremely fast temperature measurement



Infrared sensor

Automatic alarm function

When the measured body temperature exceeds the preset alarm temperature, the device will issue an alarm to remind the surrounding people



High temperature alarm



Accurate measurement

accurate measurement, fast and efficient, stronger
environmental adaptability



Large-capacity disinfectant used longer

1000ML large amount of disinfectant solution, effectively inhibit bacteria, the inhibition rate is as high as 99.9%.
Effectively take care of you and your family's health



°C/°F temperature unit can be selected

Switch easily

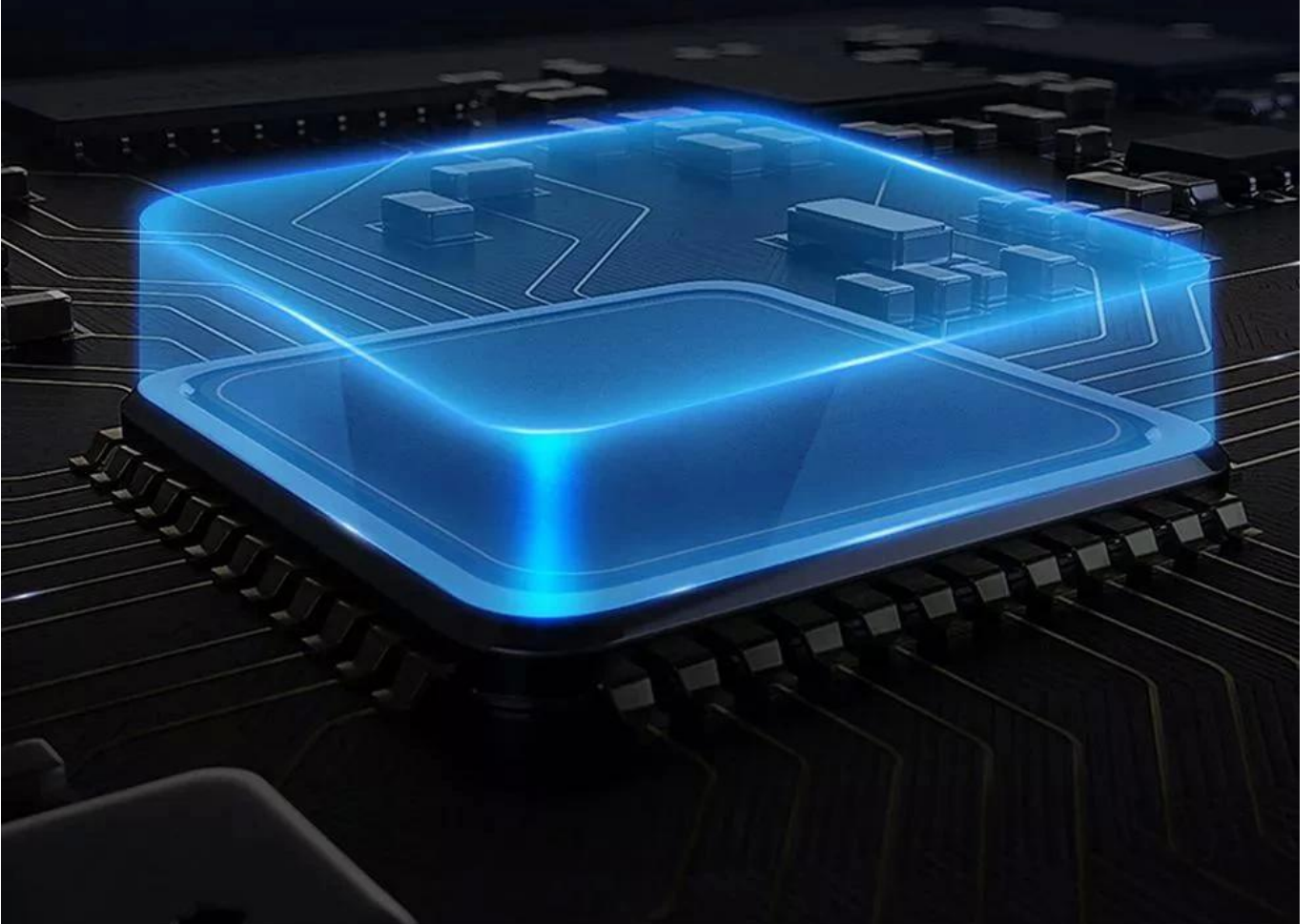


Self-developed core motherboard chip

High-performance, low-power self-developed motherboard
greatly improves product stability and operating capability

The inner core is more powerful

K9



Smart power saving & auto wake up

K9 has intelligent power saving and automatic wake-up function, which can save more resources

Low energy consumption, more economical



Visualization design of disinfectant

The side adopts a transparent design to visualize the use of disinfectant, and add liquid at any time according to the use



Exploded view

Concise appearance design



(touchless automatic alcohol sanitiser dispenser)

High quality, non-contact infrared induction sensor, soap dispenser Mini automatic dispenser for liquid hand disinfectants for medi-alcohol

About order:

1. how to order

1. Tell us the production model and quantity or other request you need, then we'll make the PI for you.
2. After you confirm the PI, we'll arrange the order for you after receiving your payment.
3. After finish the goods, we'll send you the goods and a tracking number.
4. We will track your goods until you receive them.

2. available payment

1. Western Union, T/T and PayPal are accepted.
2. 30% deposit and 70% before shipping.
3. No payment collection. Only deliver goods after full payment

3. packaging & delivery

Packaging: white box/plastic tube/foam tray/custom made

Shipping: TNT/FedEx/DHL/UPS/EMS, most economical price and fast react.

Lead time: 1-3 working days for sample

5-7 working days for bulk order according various quantities

7-10 working days for OEM after receiving your sample confirmation and payment

4. after-sales service

1. Warranty: 12 months from shipment date
2. Anything damaged, please provide pictures or video for confirmation. Send back the defective goods within warranty, we will repair them or send replacement pieces.
3. Tracking the goods until you get them.

Details Images

Technical Data

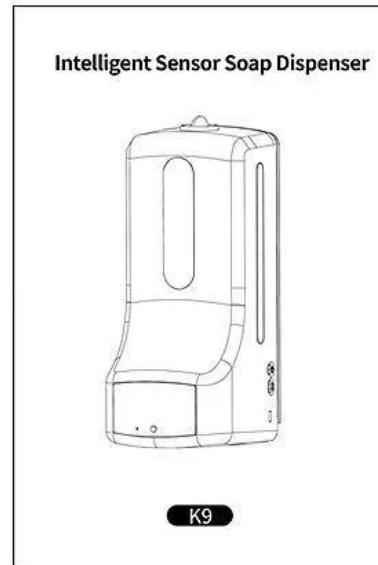


Accuracy	+/-0.2°C (34~45°C, put it in the operating environment for 30 minutes before use)		
Alarm type	Flashing+ bleeping "DIDIDI"	Input	DC 5V 1A
Measuring distance	5cm~10cm	Product power	3W
LED display	Number	Liquid type	Hand sanitizer
Interface	USB Type-C Port	<p style="text-align: center; color: #008080; font-weight: bold;">Advantages</p> <ul style="list-style-type: none"> Automatic induction no-clean disinfection soap dispenser, more convenient to use Large digital display, high-definition display High-precision sensor, stable and reliable performance With intelligent point saving and automatic wake-up function Strong adaptability to environment temperature Large-capacity soap liquid, longer life cycle 	
Bottle Capacity	1000mL		
Mounting Type	Wall-hanging, Tripod-fixed		
Working Temperature	8.10°C~40°C (15°C~35°C Recommended)		
Measuring range	0~50°C		
Standby time	5s for non-working, dynamic loop with white dot		
Dimension	119x133x280mm		
Net weight	702g		

Box Contents



K9



User Guide



USB cable&charger*1



Screw&rubber plug*2

Appearance



Strong environmental adaptability



Hospital



School



Community



Factory



Supermarket



Station



Hotel

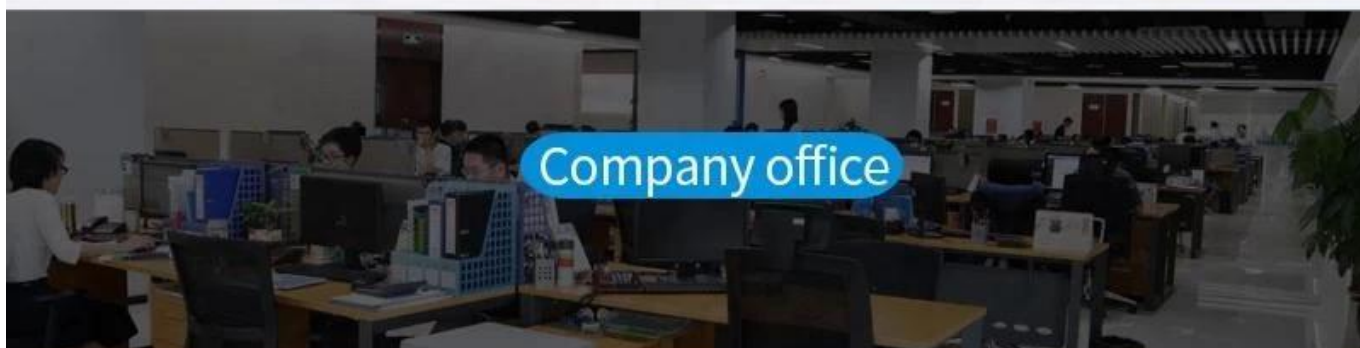


Exhibition



Market

Physical effect Mix and match



Packaging & Delivery

Selling Units	Single item
Single package size	11.9X13.32X28 cm
Single gross weight	0.800 kg
Package Type	Gift box for intelligent sanitizer dispenser automatic.

Lead Time:

Quantity(Pieces)	1 - 100	101 - 5000	5001 - 10000	>10000
Est. Time(days)	5	7	10	To be negotiated

Picture Example





FAQ

Q: How can I get the automatic soap dispenser samples to check your quality?

A: Sample order is available, can be shipped by Express, you'll receive it in 3-7 days.

Q: What can I get the price?

A: We usually quote within 24 hours after we get your inquiry. If you are very urgent to get the price, please tell us in your email so that we will regard your inquiry as priority.

Q:What is your trade term of delivery?

A: We accept EXW, FOB Shenzhen or CIF destination port. You can choose the one which is the most convenient or cost effective for you.

Q: What about the lead time for the mass production?

A: Honestly, it depends on the order quantity and the season you place the order. Sample order is within 2 days. OEM/OEM order will need extra time.