

## Product Description

Household Touchless Hands Sanitizer Electric Foam Spray Automatic infrared Sensor Soap Dispenser  
Hand Foam Spray For Home hotel

Application:HOTEL, villa, APARTMENT, OFFICE BUILDING, HOSPITAL, school, mall, Sports venues,  
Leisure Facilities, supermarket, WAREHOUSE, WORKSHOP, Park, farmhouse, Courtyard

<b>Product Name</b>	<b><u><a href="#">Automatic Hand Sanitizer Dispenser</a></u></b>
Material	ABS+PP
Weight	255G
Capacity	350ml
Charging	USB Rechargeable
Feature	Automatic Sensor



**Feature.**

**Automatic & Touchless:** This foam soap dispenser specially built-in infrared sensor, hands free, it keeps away germs and help to keep healthy for you and your family. Moreover, it makes washing hands become a more interesting thing for kids!

**Safer For Families/Guests:** Place our hand sanitizer dispenser filled fully with hand sanitizer gel in the doorway, let families and guests who go out for purchasing daily supplies disinfect their hands before they came in. Refuse to bring the virus home.

**MATERIAL:** ABS environmentally friendly anti-dirty material, safe and corrosion resistant; infrared precise and intelligent sensing, leak-proof rubber outlet; no noise.

**More Convenient:** Using this [hand sanitizer gel soap dispenser](#) at all entrances of public places to disinfect their hands before coming in your restaurant, hotel, hospital... They are filled with hand

sanitizer gel rather than foam soap, so you could put them anywhere you want because no need to wash your hands with water.

NEW OPTION FOR CLEANING

# **AUTOMATIC INDUCTION HAND-WASHING MACHINE**

The essence of natural plants  
nourishes and cares for your hands  
Contact-free, More at ease



Hand-washing machine x 1  
Antibacterial effervescent tablets x 1

## INTELLIGENT TECHNOLOGY IMPROVE YOUR QUALITY OF LIFE



Near-field  
infrared sensing



Rapid  
bubbling



No contact  
more hygienic



40 days of  
continuous use



Small and free  
installation



ABS  
Material

**FULLY AUTOMATIC HAND-WASHING MACHINE  
CARE FOR THE HEALTH OF THE WHOLE FAMILY**





Just stretch out your hands, the rich and dense foam can help you clean effectively

**AUTOMATIC INDUCTION**

# EFFECTIVELY INHIBIT HARMFUL BACTERIA TAKE CARE OF CHILDREN'S HEALTH

Effectively remove 5 major bacteria  
Deeply clean pores  
Gentle care for every inch of the child's skin





E.coli



Staphylococcus  
aureus



Pseudomonas  
aeruginosa



Candida  
albicans



salmonella

## **CHARGING 3 HOURS CAN BE USED CONTINUOUSLY FOR 40 DAYS**

Reasonably control the amount of foam  
350ml large capacity design  
can be used 500 times  
to meet the family's 30-day dosage







Near-field  
infrared sensing

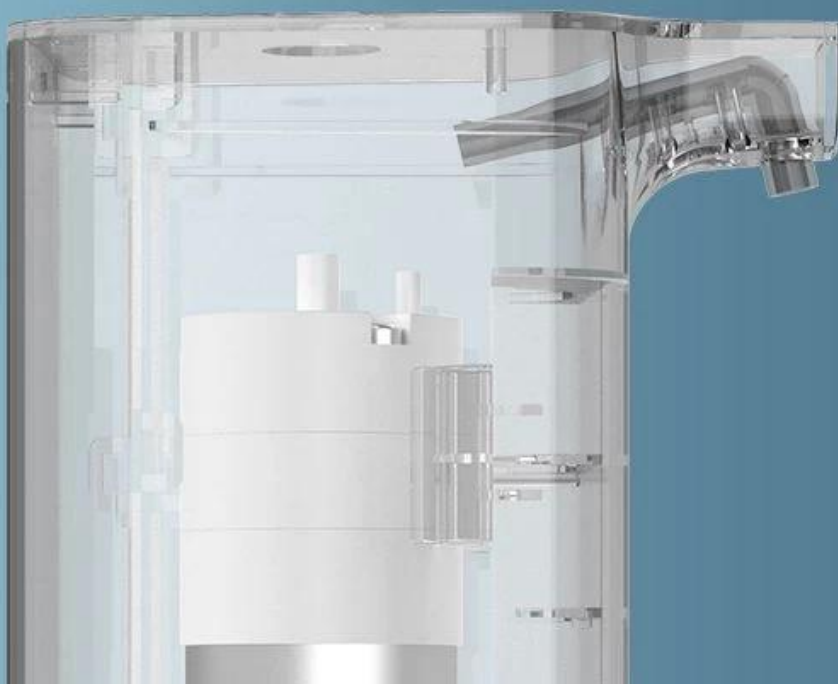


0.25S Rapid  
bubbling

DEEP CLEAN

## **DENSE AND RICH FOAM PENETRATES INTO PORES FOR DEEP CLEANSING**

The dense foam can better cover the skin's epidermis and reach the fine pores for deep cleaning

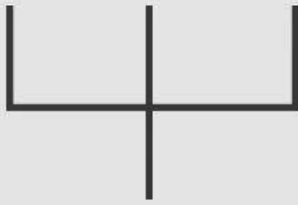




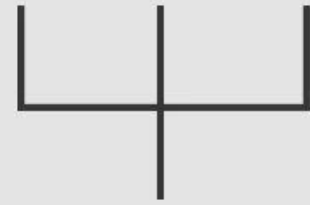
## ONE MACHINE IS VERSATILE LIQUID CAN BE CHANGED FREELY

A replaceable solution bottle at the bottom makes it easy  
to inject different hand sanitizers  
making it easier to add  
various hand sanitizers you have purchased





Hand sanitizer 3:7 tap water  
Shake evenly to allow  
hand soap to penetrate and dilute



Detergent 3:7 tap water  
Shake evenly to allow hand  
soap to penetrate and dilute

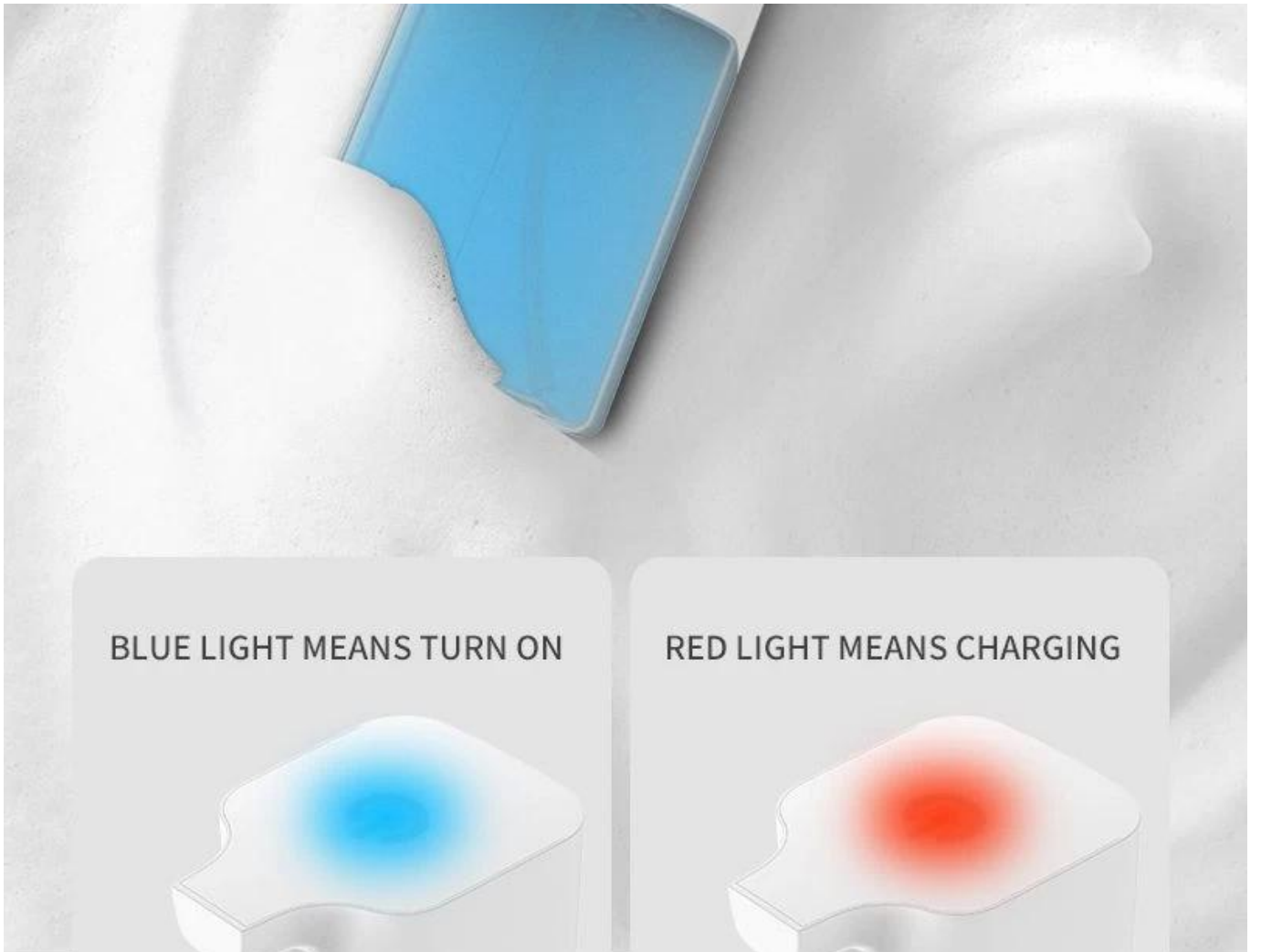
\*Effervescent tablets can be replaced with liquid soap or dishwashing liquid  
The ratio is for reference only, the effect of self-provisioning is more suitable

MOISTURIZING FUNCTION

## ANTIBACTERIAL MOISTURIZING CLEANSING

Choose a slightly acidic formula  
close to the pH of human skin  
With moisturizing function  
Glycerin made from natural oil, mild texture





BLUE LIGHT MEANS TURN ON



RED LIGHT MEANS CHARGING



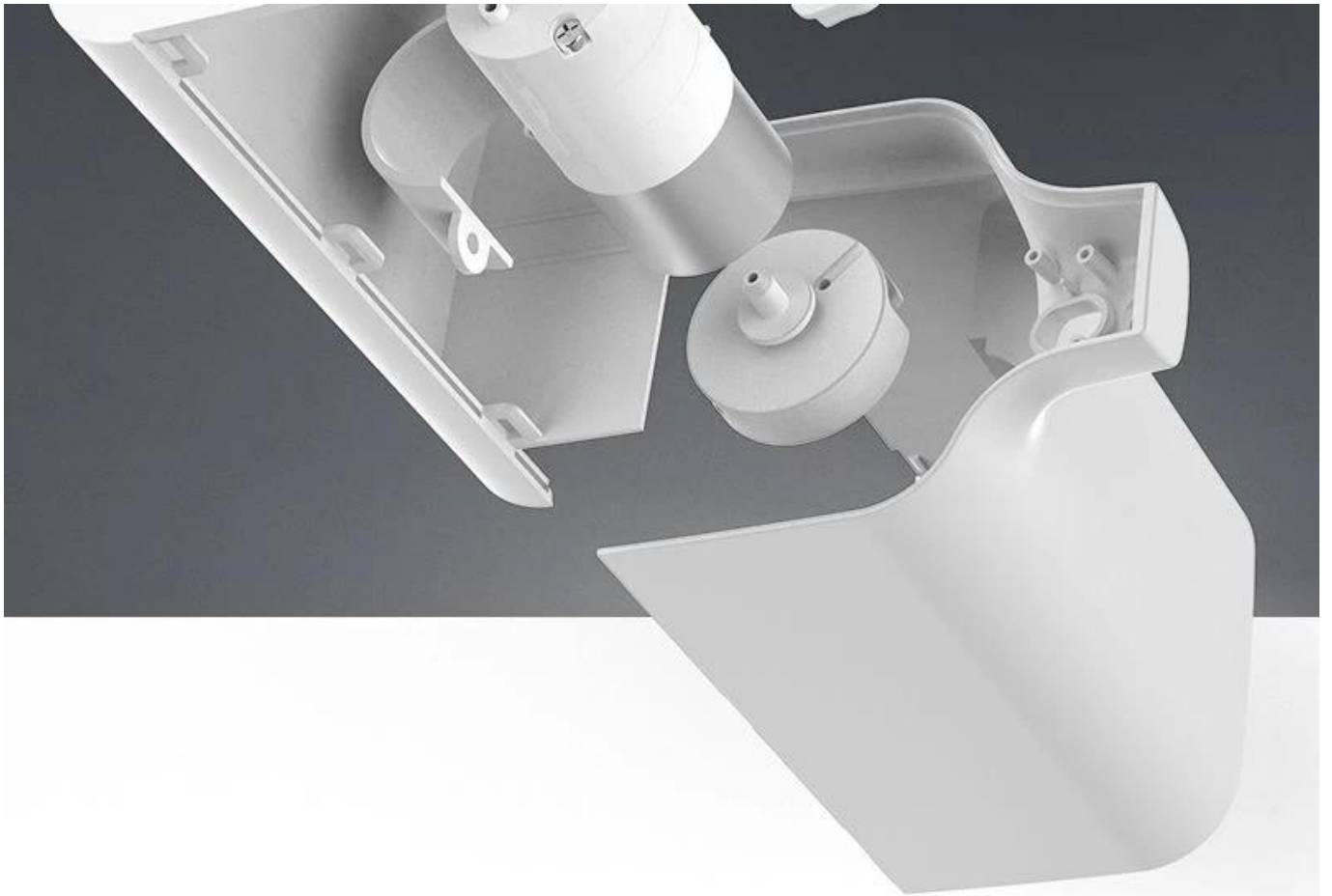
Inhibit bacteria  
insist on daily hand washing



## **MINIATURE HIGH EFFICIENCY MOTOR LOW POWER CONSUMPTION, QUIETER**

The selected miniature high-efficiency motor not only has a high foaming efficiency but also does not disturb the noise during use





**SCANDINAVIAN MINIMALIST DESIGN**  
**SMALL SIZE**  
**SUITABLE FOR VARIOUS ENVIRONMENTS**

The bottle of hand sanitizer is made of high-grade frosted material  
Clear and clean at any time to check the use of the situation.





## PRODUCT INFORMATION

Product Name: Induction foam hand washing machine

Rated voltage: 5V

Rated power: 15W

Capacity: 350ml

Applicable scene:

Material: ABS

Home cleaning, dormitory



PICTURE COLOR IS FOR REFERENCE ONLY  
PLEASE REFER TO THE ACTUAL PRODUCT

## PRODUCT DETAILS

**TOUCH TO  
TURN ON**



**ABS  
MATERIAL**



## USB CHARGING PORT



## INSTALLATION STEPS OF HAND SANITIZER



Remove concentrated effervescent tablets



Break the concentrated effervescent tablet in half



Dilute the concentrated effervescent tablets in a cup



Put the diluted solution in the solution bottle



Tighten the cap and shake gently



After installation you can use

# CERTIFICATE

## GOOD QUALITY, HEALTHY QUALITY

**CTI 华测检测**  
 报告编号: HZ0015000112

**MA** 160000343904  
**ILAC-MRA**  
**CNAS** 中国认可 强制认证 检测 TESTING CNAS L1110

### 检测报告

### Test Report

样品名称: 高钙钙质洗手液片

委托单位: 东莞市奇迪生物科技有限公司

检测类型: 委托检验

华测检测认证集团股份有限公司  
 Centre Testing International Group Co., Ltd.  
 检验检测机构  
 www.ctitest.com



**CTI 华测检测**

### 检测报告

报告编号: HZ0015000112

### 样品图片



检验检测机构

检验检测机构名称: 华测检测认证集团股份有限公司  
 检验检测机构地址: 广东省深圳市宝安区西乡街道铁岗社区铁岗山一路1号  
 检验检测机构资质认定证书编号: 160000343904  
 检验检测机构统一社会信用代码: 91440300MA5D90112E  
 检验检测机构法定代表人: 刘洪

检验检测机构地址: 广东省深圳市宝安区西乡街道铁岗社区铁岗山一路1号  
 检验检测机构资质认定证书编号: 160000343904  
 检验检测机构统一社会信用代码: 91440300MA5D90112E  
 检验检测机构法定代表人: 刘洪

**CTI 华测检测**

### 检测报告

报告编号: HZ0015000112 第 1 页 共 5 页

样品名称	高钙钙质洗手液片	CTI 样品编号	HZ15000011
样品规格	规格 (M0120)	规格	/
生产日期	/	批号	/
样品数量	5 瓶	样品状态	完好
生产商	/		
生产商地址	/		
委托单位	东莞市奇迪生物科技有限公司		
委托单位地址	东莞市寮步镇顺坑北门工业区十栋		
样品接收日期	2022 年 02 月 04 日	样品检测日期	2022 年 02 月 04 日— 2022 年 02 月 11 日
检测项目	原材料、气味、总有效物、pH(25℃)、甲醛、苯(%)、铅(Pb)、镉(Cd)、 甲苯(Q390)、二噁烷、石棉、菌落总数、霉菌和酵母菌、耐热大肠菌群、金黄色 葡萄球菌、铜绿假单胞菌。		
检测依据	GB/T 34855—2017 国家标准《洗手液》		
检测结果	经检测,有标准指标的项目符合《GB/T 34855—2017 国家标准《洗手液》》要求。		
检测日期	2022 年 02 月 11 日		

检验检测机构

检验检测机构名称: 华测检测认证集团股份有限公司  
 检验检测机构地址: 广东省深圳市宝安区西乡街道铁岗社区铁岗山一路1号  
 检验检测机构资质认定证书编号: 160000343904  
 检验检测机构统一社会信用代码: 91440300MA5D90112E  
 检验检测机构法定代表人: 刘洪

检验检测机构地址: 广东省深圳市宝安区西乡街道铁岗社区铁岗山一路1号  
 检验检测机构资质认定证书编号: 160000343904  
 检验检测机构统一社会信用代码: 91440300MA5D90112E  
 检验检测机构法定代表人: 刘洪

编制: 廖红云 审核: 谢晓红 批准: 刘洪

检验检测机构名称: 华测检测认证集团股份有限公司  
 广东省深圳市宝安区西乡街道铁岗社区铁岗山一路1号

**CTI 华测检测**

### 检测报告

报告编号: HZ0015000112 第 2 页 共 5 页

项目	检测结果	标准要求	判定	检测方法
/	符合	GB/T 34855—2017 2.1.1.1 2.1.1.2	合格	GB/T 34855—2017
/	符合	GB/T 34855—2017 2.1.1.3	合格	GB/T 34855—2017
/	符合	GB/T 34855—2017 2.1.1.4	合格	GB/T 34855—2017
/	符合	GB/T 34855—2017 2.1.1.5	合格	GB/T 34855—2017
/	符合	GB/T 34855—2017 2.1.1.6	合格	GB/T 34855—2017
/	符合	GB/T 34855—2017 2.1.1.7	合格	GB/T 34855—2017
/	符合	GB/T 34855—2017 2.1.1.8	合格	GB/T 34855—2017
/	符合	GB/T 34855—2017 2.1.1.9	合格	GB/T 34855—2017
/	符合	GB/T 34855—2017 2.1.1.10	合格	GB/T 34855—2017
/	符合	GB/T 34855—2017 2.1.1.11	合格	GB/T 34855—2017
/	符合	GB/T 34855—2017 2.1.1.12	合格	GB/T 34855—2017
/	符合	GB/T 34855—2017 2.1.1.13	合格	GB/T 34855—2017
/	符合	GB/T 34855—2017 2.1.1.14	合格	GB/T 34855—2017
/	符合	GB/T 34855—2017 2.1.1.15	合格	GB/T 34855—2017
/	符合	GB/T 34855—2017 2.1.1.16	合格	GB/T 34855—2017
/	符合	GB/T 34855—2017 2.1.1.17	合格	GB/T 34855—2017
/	符合	GB/T 34855—2017 2.1.1.18	合格	GB/T 34855—2017
/	符合	GB/T 34855—2017 2.1.1.19	合格	GB/T 34855—2017
/	符合	GB/T 34855—2017 2.1.1.20	合格	GB/T 34855—2017
/	符合	GB/T 34855—2017 2.1.1.21	合格	GB/T 34855—2017
/	符合	GB/T 34855—2017 2.1.1.22	合格	GB/T 34855—2017
/	符合	GB/T 34855—2017 2.1.1.23	合格	GB/T 34855—2017
/	符合	GB/T 34855—2017 2.1.1.24	合格	GB/T 34855—2017
/	符合	GB/T 34855—2017 2.1.1.25	合格	GB/T 34855—2017
/	符合	GB/T 34855—2017 2.1.1.26	合格	GB/T 34855—2017
/	符合	GB/T 34855—2017 2.1.1.27	合格	GB/T 34855—2017
/	符合	GB/T 34855—2017 2.1.1.28	合格	GB/T 34855—2017
/	符合	GB/T 34855—2017 2.1.1.29	合格	GB/T 34855—2017
/	符合	GB/T 34855—2017 2.1.1.30	合格	GB/T 34855—2017
/	符合	GB/T 34855—2017 2.1.1.31	合格	GB/T 34855—2017
/	符合	GB/T 34855—2017 2.1.1.32	合格	GB/T 34855—2017
/	符合	GB/T 34855—2017 2.1.1.33	合格	GB/T 34855—2017
/	符合	GB/T 34855—2017 2.1.1.34	合格	GB/T 34855—2017
/	符合	GB/T 34855—2017 2.1.1.35	合格	GB/T 34855—2017
/	符合	GB/T 34855—2017 2.1.1.36	合格	GB/T 34855—2017
/	符合	GB/T 34855—2017 2.1.1.37	合格	GB/T 34855—2017
/	符合	GB/T 34855—2017 2.1.1.38	合格	GB/T 34855—2017
/	符合	GB/T 34855—2017 2.1.1.39	合格	GB/T 34855—2017
/	符合	GB/T 34855—2017 2.1.1.40	合格	GB/T 34855—2017
/	符合	GB/T 34855—2017 2.1.1.41	合格	GB/T 34855—2017
/	符合	GB/T 34855—2017 2.1.1.42	合格	GB/T 34855—2017
/	符合	GB/T 34855—2017 2.1.1.43	合格	GB/T 34855—2017
/	符合	GB/T 34855—2017 2.1.1.44	合格	GB/T 34855—2017
/	符合	GB/T 34855—2017 2.1.1.45	合格	GB/T 34855—2017
/	符合	GB/T 34855—2017 2.1.1.46	合格	GB/T 34855—2017
/	符合	GB/T 34855—2017 2.1.1.47	合格	GB/T 34855—2017
/	符合	GB/T 34855—2017 2.1.1.48	合格	GB/T 34855—2017
/	符合	GB/T 34855—2017 2.1.1.49	合格	GB/T 34855—2017
/	符合	GB/T 34855—2017 2.1.1.50	合格	GB/T 34855—2017

检验检测机构

检验检测机构名称: 华测检测认证集团股份有限公司  
 检验检测机构地址: 广东省深圳市宝安区西乡街道铁岗社区铁岗山一路1号  
 检验检测机构资质认定证书编号: 160000343904  
 检验检测机构统一社会信用代码: 91440300MA5D90112E  
 检验检测机构法定代表人: 刘洪

检验检测机构地址: 广东省深圳市宝安区西乡街道铁岗社区铁岗山一路1号  
 检验检测机构资质认定证书编号: 160000343904  
 检验检测机构统一社会信用代码: 91440300MA5D90112E  
 检验检测机构法定代表人: 刘洪

## Packing&Shipping

### electric sensor sanitiser dispenser supplier

#### Packing dimension:

60pcs/carton

Carton Mea:8\*14\*22cm

Gross W:22.5kg/carton

**HS code: 8509809000**

#### Packaging & Delivery

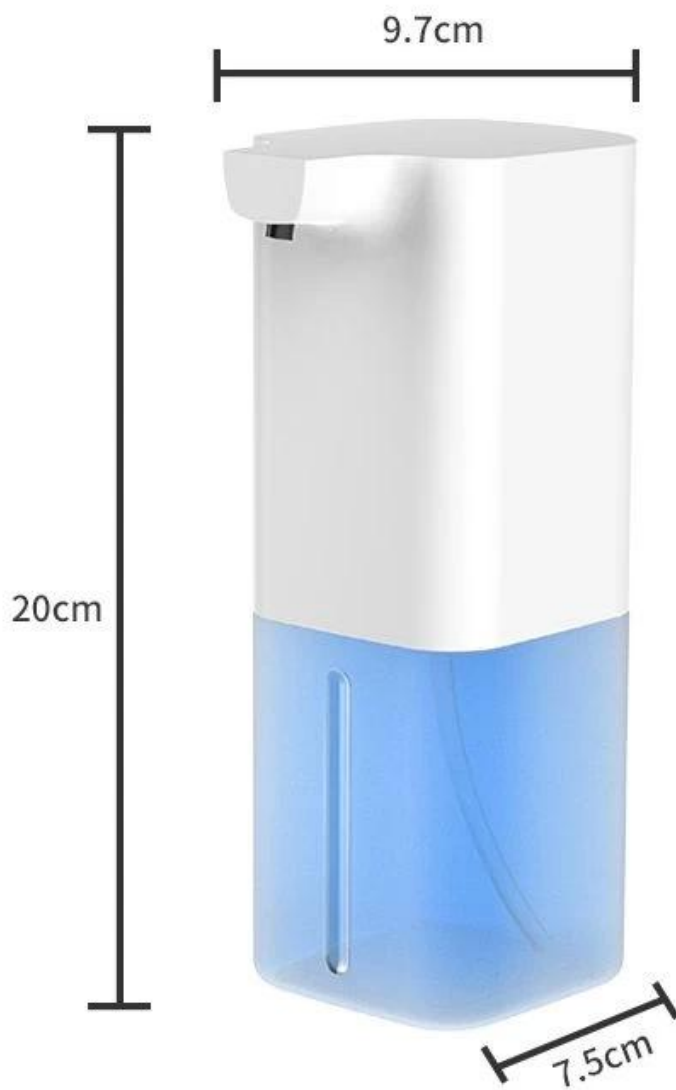
Selling Units	Single item
Single package size	8X14X22 cm
Single gross weight	0.500 kg
Package Type:	30 unit per carton product size:7.5*9.7*20cm inner package size:8*14*22cm,0.35KG Outer package size:58*42*68cm,G.W 22.5KG

#### Lead Time:

Quantity(Units)	1-100	101-500	501-1000	>1000
Quantity(Units)	5	7	10	To be negotiated

#### Picture Example:

hotel, KTV and other places



Marine incense

=



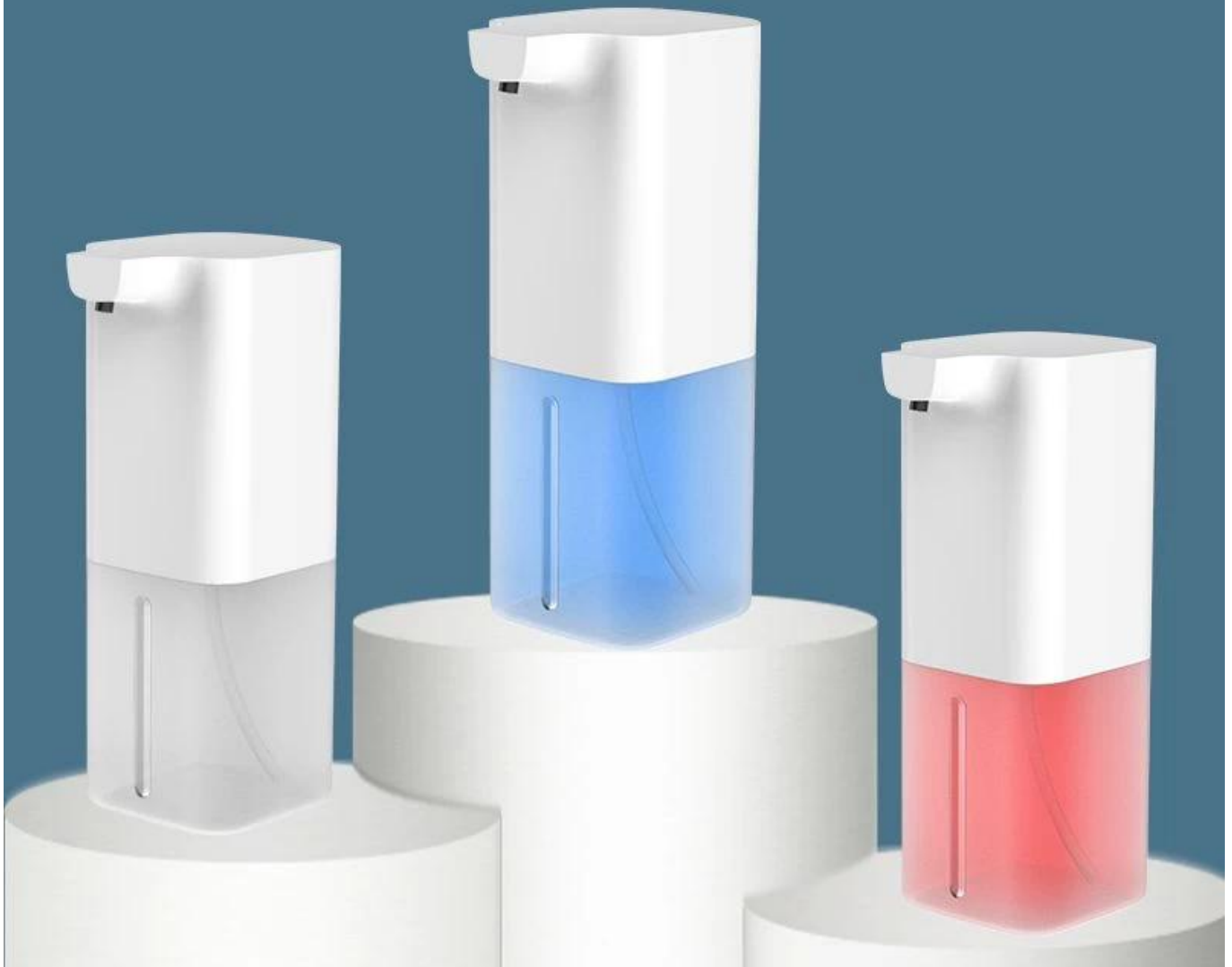
Effervescent tablets



MOIST CARE

# NORDIC SIMPLE DESIGN

Marine incense/Osmanthus/Rose fragrance/Lemon scent



## FAQ

Q: How can I get the automatic soap dispenser samples to check your quality?

A: Sample order is available, can be shipped by Express, you'll receive it in 3-7 days.

Q: What can I get the price?

A: We usually quote within 24 hours after we get your inquiry. If you are very urgent to get the price, please tell us in your email so that we will regard your inquiry as priority.

Q: What is your trade term of delivery?

A: We accept EXW, FOB Shenzhen or CIF destination port. You can choose the one which is the most

convenient or cost effective for you.

Q: What about the lead time for the mass production?

A: Honestly, it depends on the order quantity and the season you place the order. Sample order is within 2 days. OEM/OEM order will need extra time.